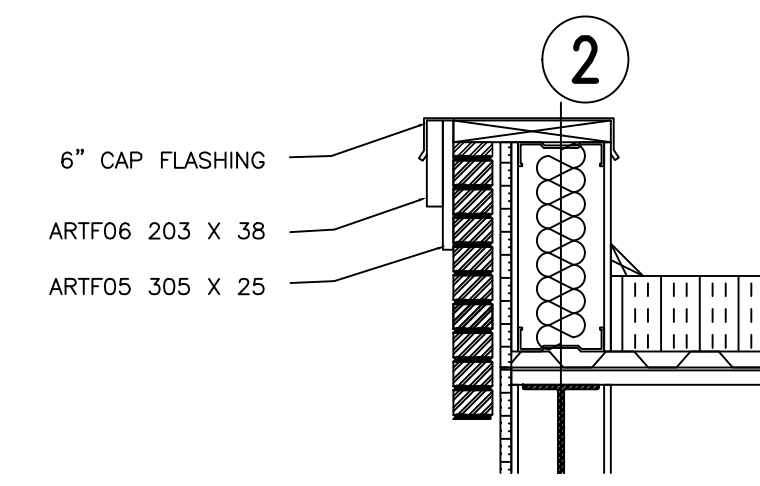
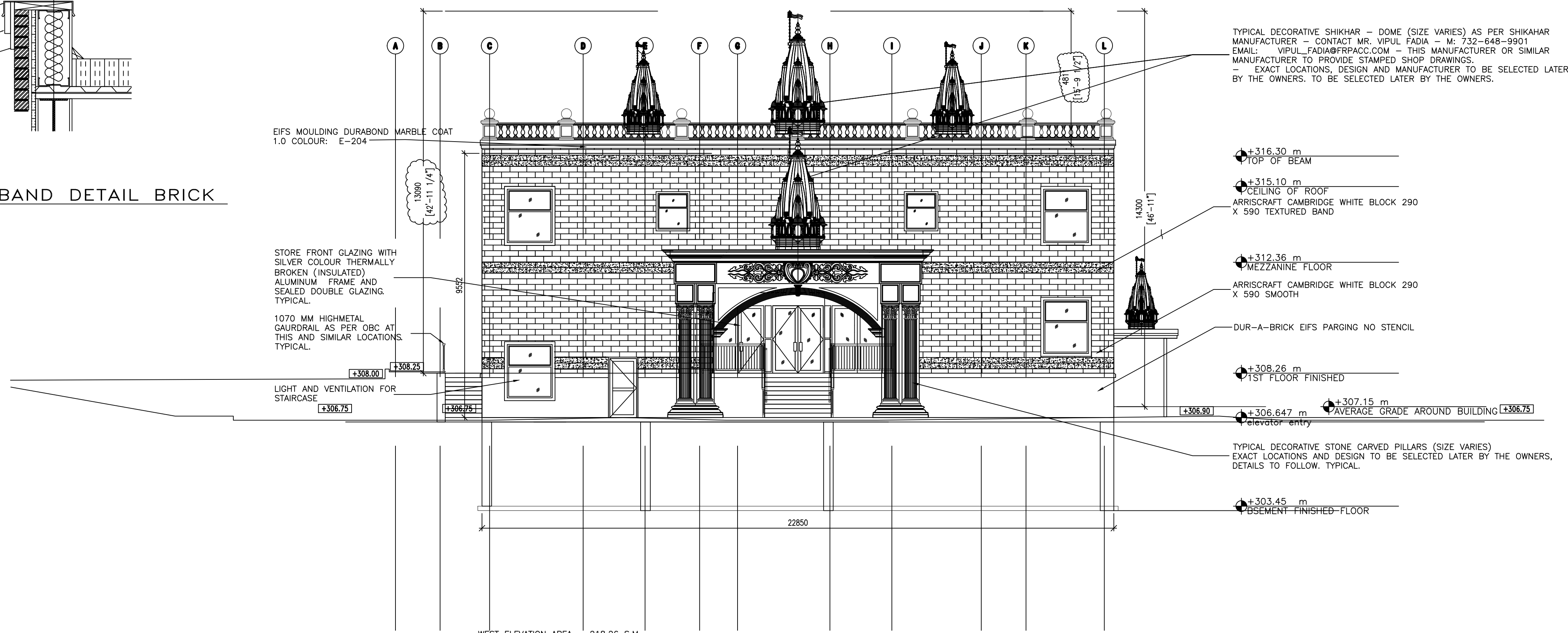


CROWN BAND DETAIL EIFS

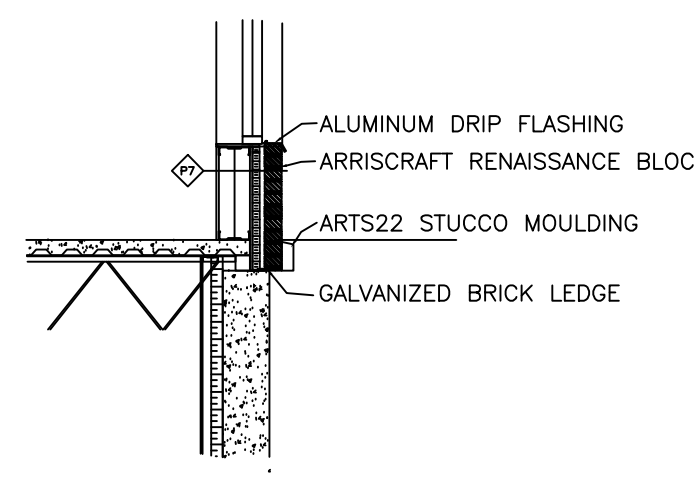


CROWN BAND DETAIL BRICK

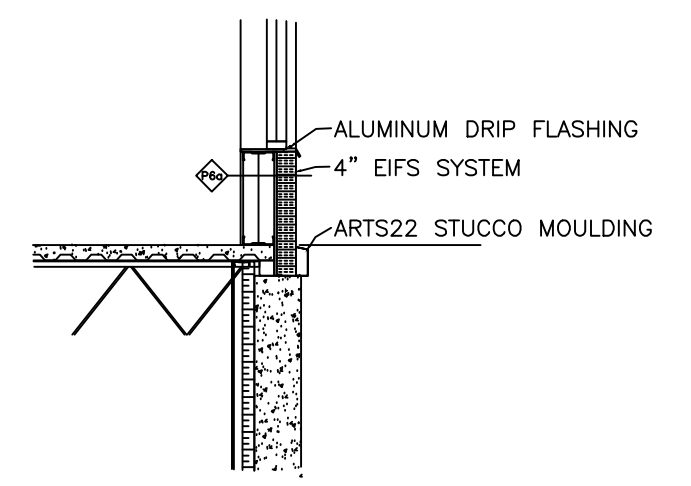


PROPOSED WEST SIDE ELEVATION

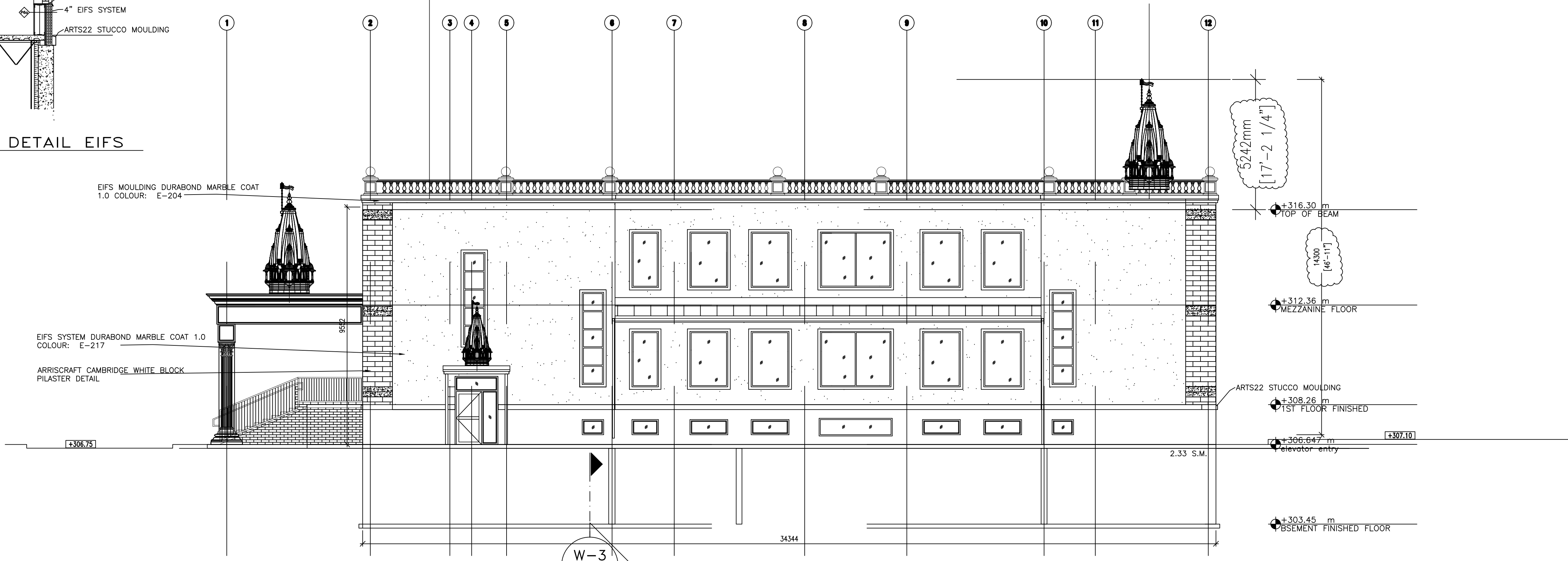
SCALE: 1:100



SILL DETAIL BRICK



SILL DETAIL EIFS



PROPOSED SOUTH SIDE ELEVATION

SCALE: 1:100

13.		
12.	EXTERIOR ELEVATION UPDATE	AUG 27/2024
11.	IFC REVISION 1	MAR 14/2024
10.	REVISED AS RSM COMMENTS	JULY 11/2022
09.	PERMIT	APR. 09/2022
08.	REVISED AS CITY'S COMMENT - SP APPLICATION	JULY 20/2021
07.	REVISED AS CITY'S COMMENT - SP APPLICATION	APR. 12/2021
06.	SITE PLAN APPLICATION	NOV. 30/2020
05.	PROGRESS DRAWINGS-REVISED AS TEMPLE DIRECTOR COMMENT	NOV. 11/2020
04.	REVISED AS TEMPLE DIRECTOR COMMENT - WEST ENTRY	OCT. 22/2020
03.	PROGRESS DRAWINGS - REVISED REVIEW	OCT. 20/2020
02.	OWNER'S REVISED REVIEW	OCT. 19/2020
01.	RAM'S REVIEW	OCT. 17/2020
NO.	ISSUED FOR	DATE

PROJECT NAME AND LOCATION

PROPOSED RADHA KRISHNA MANDIR AND CULTURAL CENTRE INC.

85 BOXWOOD DRIVE
CAMBRIDGE, ONTARIO - N3E 0E5

DRAWING TITLE

PROPOSED ELEVATION - WEST SIDE - SOUTH SIDE

NOTE:
- DO NOT SCALE DRAWINGS.
- ALL DIMENSIONS TO BE CHECKED AND VERIFIED ON THE JOB SITE.
- ANY AND ALL DISCREPANCIES TO BE REPORTED TO THE ARCHITECT.
- ALL DRAWINGS REMAIN THE PROPERTY OF THE ARCHITECT.

PROJECT NO.	2055	A BC
DATE	OCT. 2020	
DRAWN BY	V.P./K.V.	A. DETAIL NO. B. LOCATION C. DETAILED ON
CHECKED BY	CJV	
DRAWING NO.		

A-2.1